



LEAK DETECTOR SYSTEM INSTALLATION INSTRUCTIONS

ITEM LD4141



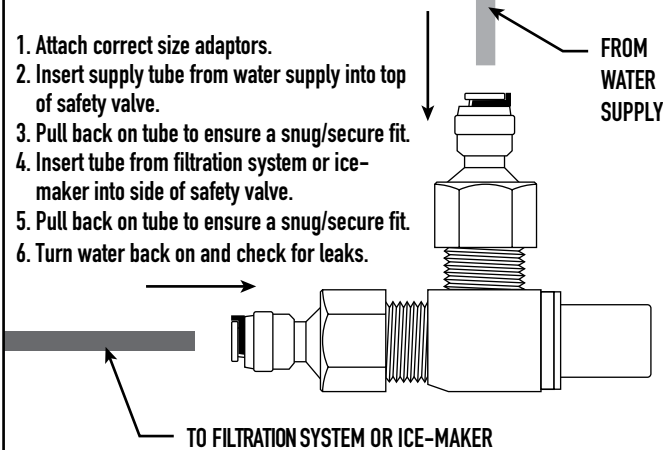
**SHUT OFF WATER SUPPLY
BEFORE INSTALLATION**

SPECIFICATIONS

- OPERATING VOLTAGE 9V
- CABLE LENGTH 60"
- INLET/OUTLET DIRECT CONNECT
- (2) 1/4" ADAPTORS INCLUDED
- (2) 3/8" ADAPTORS INCLUDED
- ENVIRONMENT TEMP 33°F - 140°F
- MAXIMUM PRESSURE 87 PSI

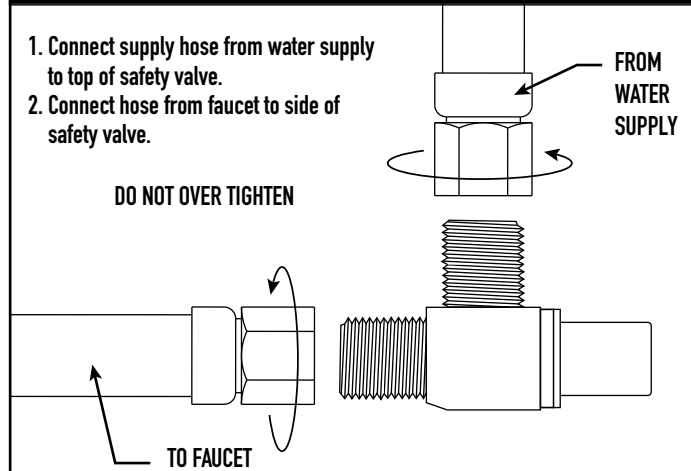
FILTRATION FAUCET CONNECTION

1. Attach correct size adaptors.
2. Insert supply tube from water supply into top of safety valve.
3. Pull back on tube to ensure a snug/secure fit.
4. Insert tube from filtration system or ice-maker into side of safety valve.
5. Pull back on tube to ensure a snug/secure fit.
6. Turn water back on and check for leaks.

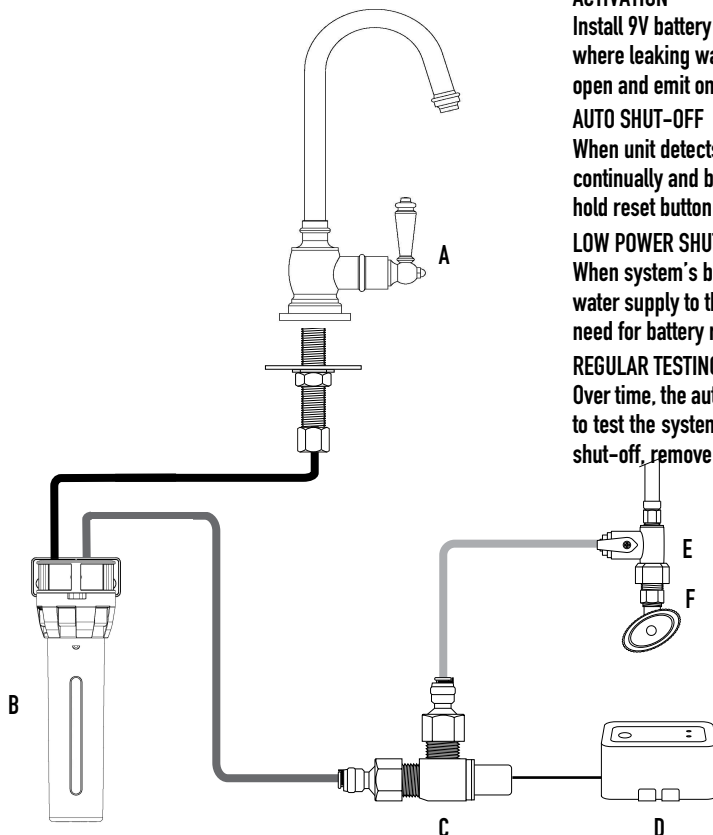


DIRECT CONNECTION

1. Connect supply hose from water supply to top of safety valve.
2. Connect hose from faucet to side of safety valve.



BTI FILTRATION FAUCET / FILTRATION UNIT / LEAK DETECTOR



ACTIVATION

Install 9V battery (included) in unit and close lid. Place unit inside cabinet on a paper towel where leaking water would pool. Press and hold button for four seconds; safety valve will open and emit one long beep. Unit is then operational.

AUTO SHUT-OFF

When unit detects moisture, safety valve will activate and shut-off water. Unit will beep continually and blink with a blue light. To reset the unit after leak is repaired, press and hold reset button for four seconds. Safety valve will reset, open and emit one long beep.

LOW POWER SHUT-OFF

When system's battery needs replacement (every 12-months) control valve will shut-off water supply to the filtration system. Unit will beep and blink with a red light to indicate need for battery replacement.

REGULAR TESTING

Over time, the auto shut-off valve may get clogged with impurities from water. It is important to test the system periodically by touching the metal plate to water. If safety valve does not shut-off, remove the unit and clear debris.

- | | |
|------------------------------|--------------------------|
| (A) BTI FILTRATION FAUCET | (D) MOISTURE SENSOR |
| (B) BTI FILTRATION SYSTEM | (E) ANGLE SHUT-OFF VALVE |
| (C) BTI LEAK DETECTOR SYSTEM | (F) WATER SUPPLY |

IMPORTANT: DIAGRAMS REPRESENT TYPICAL WATER TREATMENT SYSTEM INSTALLATION WITH BTI AQUA-SOLUTIONS FILTRATION AND FAUCET UNITS. OTHER FILTRATION SYSTEMS AND FAUCETS MAY VARY. CONSULT LOCAL PLUMBING CODES AND BUILDING REGULATIONS BEFORE INSTALLATION. IMPROPERLY INSTALLED SYSTEMS COULD RESULT IN WATER DAMAGE DUE TO LEAKS OR FLOODING. INSTALLER IS RESPONSIBLE FOR ENSURING THAT INSTALLATION IS IN COMPLIANCE WITH ALL APPLICABLE STATE AND LOCAL REGULATIONS.

www.bti-aqua-solutions.com

7022 South Revere Parkway • Suite 240 • Centennial, CO 80112 • 720.322.0800 (o) 720.322.0801 (f)